

2ft. x 2ft.

LOW IMPEDANCE DROP-IN CEILING SPEAKER

**NO CEILING
TILE CUTTING
WITH 2' X 2'
CEILING FRAME**



Low-Impedance Drop-In Ceiling Speaker with Back Can **CSD2X2L(U)**

Bogen's CSD2X2L(U) Drop-In Ceiling Speakers are 8-ohm, full-range speakers that allow for fast and easy installation, which saves installation time, effort, and cost.

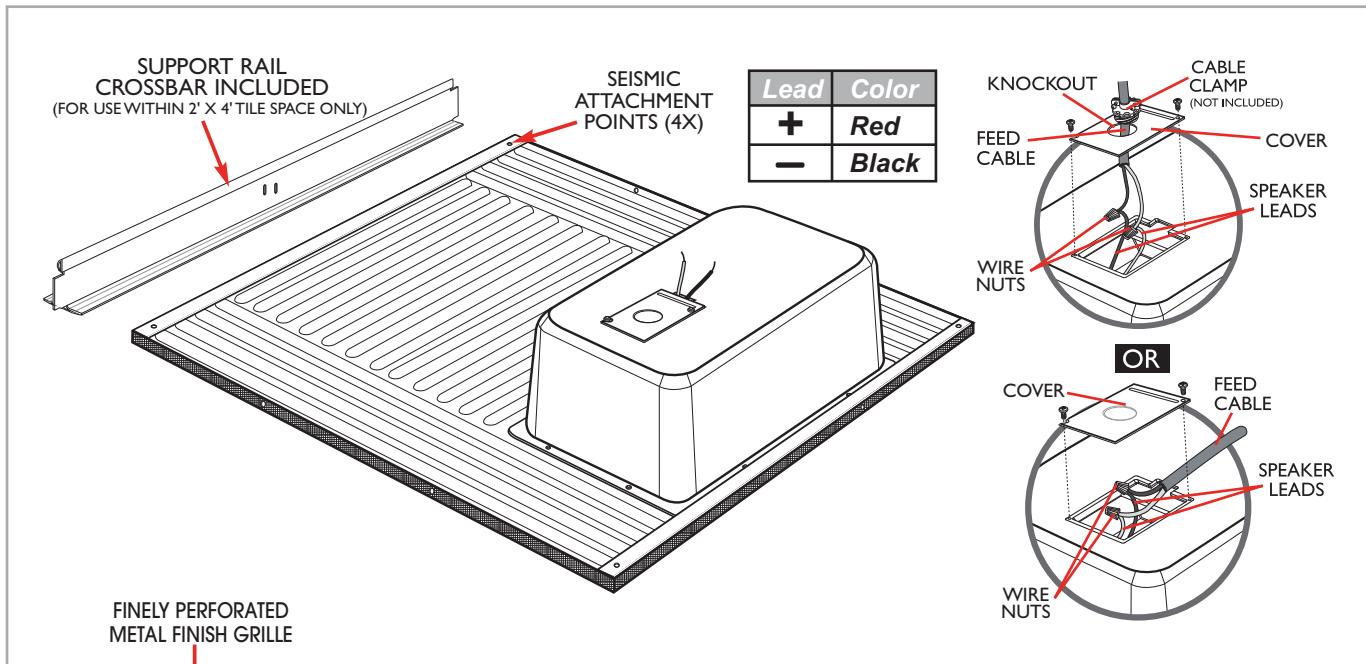
The CSD2X2L(U) is a 2' x 2' speaker that fits perfectly into place in 2' x 2' ceiling grids – without needing to cut ceiling tiles or requiring the use of tile support rails. The CSD2X2L(U) can also be easily installed in 2' x 4' ceiling grids – just make one cut to the ceiling tile, position the support rail (included), and drop the speaker into place.

- *Finely perforated grille over the entire front of speaker*
- *Fully enclosed, industrial grade steel construction*
- *Enclosed Back Can*
- *8" main cone with secondary high-frequency cone*
- *Low-Impedance: 8-ohm speaker, 15W max. power*
- *Seismic attachment points*
- *Complies with Requirements of UL-2043*
- *Support Rail Crossbar (included)*
- *Available in Off-white and Bright White ("U" versions) grille finish*



BOGEN®

Low-Impedance Drop-In Ceiling Speaker CSD2X2L(U)



SPECIFICATIONS

Frequency Response	85 Hz - 20 kHz
SPL @ 1W / 1m	94 dB
Maximum Power	15 watts @ 8-ohm
Dispersion @ 2 kHz (6 dB down)	100°
Cone Material & Surround	Treated paper
Cones	8" main cone with secondary high frequency cone
Magnet Weight	10 oz.
Connection	Via wire nuts (included in electrical box)
Dimensions	23-13/16" W x 5" H x 23-13/16" D
Product Weight	12 lb.

Plenum-Rated, complies with Requirements of Standard UL-2043.

Architect and Engineer Specifications

The speaker shall be a Bogen Model CSD2X2L(U) Low-Impedance Drop-In Ceiling Speaker, which shall be fully enclosed and constructed of industrial grade steel. It shall be comprised of a damped high-compliance factory-mounted 8" loudspeaker that shall consist of an 8" treated paper main cone, a secondary high frequency cone, and a 10 ounce magnet. The unit shall have an 8-ohm nominal impedance with maximum power of 15 watts. Output shall be 94 dB @ 1 watt / 1 meter (min.). Frequency response shall be 85 Hz - 20 kHz (min.). The speaker shall include 4 seismic attachment points. The speaker shall have a non-reflective, Off-white or Bright White ("U" versions) metal finish grille.

The speaker assembly will fit into 2' x 2' and 2' x 4' ceiling tiles. For 2' x 2' installations, a support rail shall not be needed and no cuts to the ceiling shall be necessary. For 2' x 4' installations, a single cut to the ceiling tile and an included support rail shall be needed. The speaker shall measure 23-13/16" W x 5" H x 23-13/16" D and weigh 12 lb.

BOGEN®
COMMUNICATIONS, INC.
 50 Spring Street, Ramsey, NJ 07446, U.S.A.
 Tel: 201-934-8500 • Fax: 201-934-9832
www.bogen.com

Specifications subject to change without notice.
 © 2008 Bogen Communications, Inc.
 54-9283-01B 0902