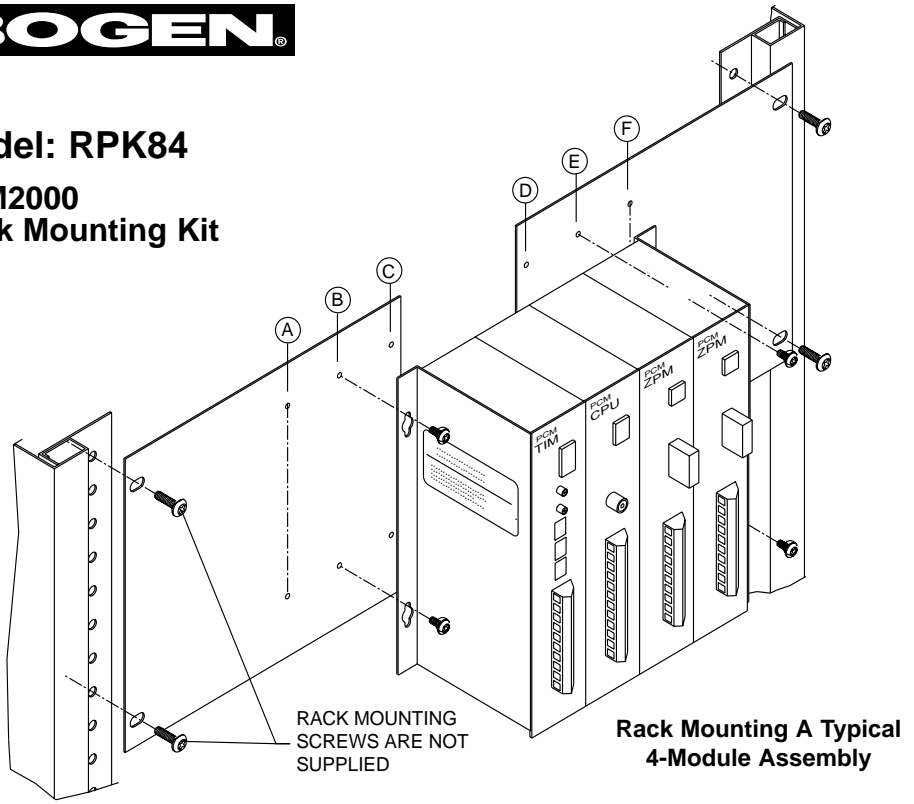


Model: RPK84 PCM2000 Rack Mounting Kit



Installation

1. Position the left side of the completed PCM assembly over one of the rack mounting adapters. Refer to the figure above and the table below to determine the correct holes for the number of modules in the assembly.

Total Modules	2	3	4	5	6
Mounting Holes	C & D	B & D	B & E	B & F	A & F

2. Secure the left side of the PCM system to the rack adapter using two of the truss head sheet metal screws included with the kit.
3. Secure the right side of the PCM system to the other rack adapter using the holes for the number of modules in the assembly and the remaining two truss head sheet metal screws.
4. Secure the assembly to a 19" rack (rack screws not supplied).