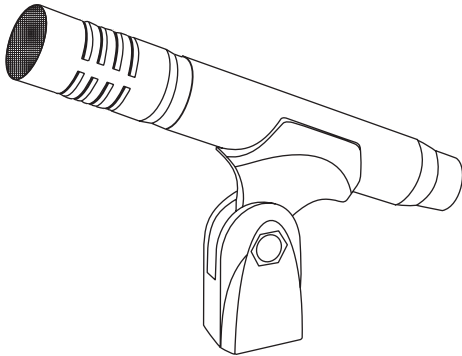


# BOGEN®

## Model HCU350 Professional Instrument Microphone



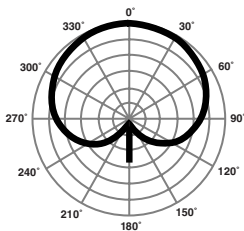
### DESCRIPTION

The HCU350 is a specially-designed, high-output condenser microphone that delivers high performance, reliability, and accurate pickup for both vocal and instrument sound. It is an excellent choice for professional recordings, live performances, and other critical sound reinforcement applications.

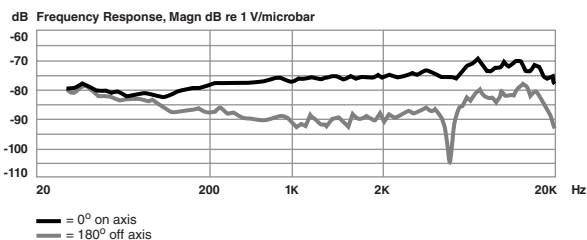
The HCU350 is a uni-directional microphone offering a minimum sensitivity at an angle of 180 degrees while reducing pickup of sounds from the rear. Its polar pattern focuses on the desired sound source while suppressing unwanted ambient noise and feedback, and ensures a clean separation between individual instruments. It incorporates a transformerless electronic circuit that delivers high-output, low self-noise, and high sound pressure handling. This circuit reduces distortion at high acoustic pressures and minimizes interference that may affect the balanced audio signal.

Light but ruggedly constructed, the HCU350 is built to withstand the rigors of heavy field and studio usage. It comes in a rubberized black finish that defers reflection and halation from stage lights. It also features an excellent shock-mount system for effective isolation from the handling noise and vibration typically found in live performances. Its XLR connector can be easily mated to standard microphone cables. The HCU350 requires an external 9 - 52V DC phantom power source.

### POLAR GRAPH



### FREQUENCY RESPONSE GRAPH



### SPECIFICATIONS

MIC Type:	Handheld
Element:	Back Electret Condenser
Polar Pattern:	Uni-directional
Impedance:	60-ohm
Frequency Response:	30Hz to 20kHz
Sensitivity*:	-56dB +/- 3dB
Max SPL @ 1% THD:	>130dB
S/N Ratio:	Over 65dB
Cable:	XLR Male
	pin 1 = shield (gnd), pin 2 = signal (+), pin 3 = signal (-)
Dimensions:	6-1/4" H x 1" Dia.
Product Weight:	5 oz.
Material:	Copper
Finish:	Rubberized black finish

\* (0dB=1V/microbar 1,000 Hz indicated by open circuit)

### LIMITED WARRANTY

Bogen microphones are warranted to be free from defects in material or workmanship provided that the product has not been subjected to abuse or accident or altered in any way for one (1) year from the date of sale to the original purchaser. Any part of the product covered by this warranty that, with normal installation and use, becomes defective will be repaired or replaced by Bogen, at our option, provided the product is shipped insured and prepaid to: Bogen Factory Service Department, 50 Spring Street, Ramsey, NJ 07446, USA. The product will be returned to you freight prepaid. This warranty does not extend to any of our products that have been subjected to misuse, improper storage, neglect, accident, improper installation or have been modified or repaired in any manner that Bogen believes may affect the reliability of the product, or where the serial number or date code has been removed or defaced.

THE FOREGOING LIMITED WARRANTY IS BOGEN'S SOLE AND EXCLUSIVE WARRANTY AND THE PURCHASER'S SOLE AND EXCLUSIVE REMEDY. BOGEN MAKES NO OTHER WARRANTIES OF ANY KIND, EITHER EXPRESS OR IMPLIED, AND ALL IMPLIED WARRANTIES OF MERCHANTABILITY OR FITNESS FOR A PARTICULAR PURPOSE ARE HEREBY DISCLAIMED AND EXCLUDED. Bogen's liability arising out of the manufacture, sale or supplying of products or their use or disposition, whether based upon warranty, contract, tort or otherwise, shall be limited to the price of the product. In no event shall Bogen be liable for special, incidental or consequential damages (including, but not limited to, loss of profits, loss of data or loss of use damages) arising out of the manufacture, sale or supplying of products, even if Bogen has been advised of the possibility of such damages or losses.

Products that are out of warranty will also be repaired by the Bogen Factory Service Department -- same address as above or call 201-934-8500. The parts and labor involved in these repairs are warranted for 90 days when repaired by the Bogen Factory Service Department. All shipping charges in addition to parts and labor charges will be at the owner's expense.

**BOGEN®**  
COMMUNICATIONS, INC.

50 Spring Street, Ramsey, NJ 07446, U.S.A.  
201-934-8500; Fax: 201-934-9832  
Web Site: [www.bogen.com](http://www.bogen.com)