

PortaCom 2000 Intercom

2 Channel Wired Full Duplex Intercom Specifications

Advancing Technology

A flexible, high-performance wired intercom system, the PortaCom is built smart and simple. It gives you two channels without sacrificing power or quality, is expandable and portable or rack mountable. PortaCom is priced for the junior high school theater, local cable studio or high school football coach.

2-YEAR WARRANTY!

2 CHANNEL - WIRED FULL DUPLEX SYSTEM

HIGH PERFORMANCE / LOW COST

AC/DC OPERABLE

PORTABLE OR RACKMOUNTABLE
(1 U RACK SPACE)

DURABLE LIGHTWEIGHT METAL PACKS

UP TO 20 HEADSET CAPACITY

STANDARD 3 PIN XLR MICROPHONE CABLES

EASY TO SETUP AND OPERATE

COMFORTABLE & LIGHTWEIGHT NOISE
CANCELLING HEADSETS

OPTIONAL SINGLE, DUAL OR MIXED HEADSETS

MADE IN THE USA!

PC-2000 - Two-Channel Power Console

Power console with four outputs; rack-mountable. Includes wallmount AC adapter.



BP-2000 - Belt Pack

Lightweight aluminum belt pack with volume control, A/B channel switch and mic and call button with LED indicator.



B3-2000 - Branch Box

3-Station branch box for expanding PortaCom systems.



PORTACOM SYSTEM COMPONENTS



H-2000
Headset

PORTACOM MODELS

COM-40FC Four User Package:

4 ea headsets & belt packs, 1 ea power console & carrying case (no cables)

COM-60FC Six User Package:

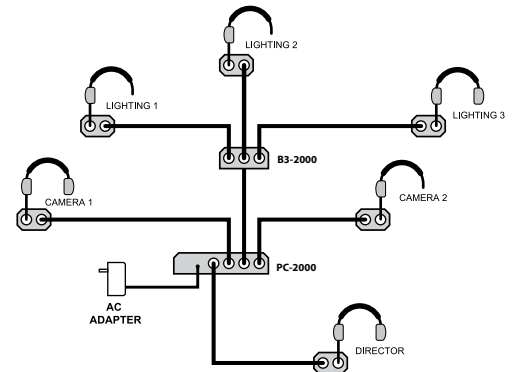
6 ea headsets & belt packs, 1 ea power console, branch box & carrying case (no cables)

COM-40FC/C Four User Package:

4 ea headsets, belt packs & 50' cables, 1 ea power console & carrying case

COM-60FC/C Six User Package:

6 ea headsets & belt packs, 7 50' cables, 1 ea power console, branch box & carrying case



GENERAL APPLICATION DIAGRAM

PORTACOM ACCESSORIES

- HC-1600P** Carrying case
- EX-25M** XLR cable/25'
- EX-50M** Extension/50'
- RM-100** PC-100 rack
- EX-75M** XLR cable/75'
- CC-PC** Cable bag
- AC-20** Power module

PORTACOM INTERCOM TECHNICAL SPECIFICATIONS

Operating Distance Up to 2,500 ft (total cable length)
 Normal Line Level -15dBV
 Signal-to-Noise Ratio -65dB
 Distortion < 0.5%
 Connecting Cables Standard 1-pair shielded mic cable w/ 3-pin XLR (heavy-duty cable recommended for runs over 250 ft)
 Compatibility Generally compatible w/ industry standard system (call for info)

B3-2000 - Branch Box

Connectors (3-pin XLR) Input - 1 female / Output - 3 male
 Dimensions 1.9 x 4.1 x 4.25" / 48 x 105 x 108 mm
 Weight 19.2 oz / 0.5 kg

BP-2000 - Belt Pack

Input Line Connector 3-pin XLR - female
 Headset Connector 4-pin XLR - male
 Bridging Impedance 10k ohm min
 DC Current Reqs. 20mA max
 Dimensions 3.8 x 2.75 x 1.25" / 96.5 x 69.85 x 31.75 mm
 Weight .40 oz / .0113 kg

H-2000/H-2000S - Dual-Earpiece/Single-Earpiece Headset

Connector 4-pin XLR - female
 Microphone Type Dynamic, low impedance
 Dimensions 3.5 x 7.4 x 7.9" / 8.9 x 18.8 x 20 cm
 Weight H-2000 16 oz / .45 kg
 H-2000S 13 oz / .37 kg

PC-2000 - Two-Channel Power Console

Output Connectors 3-pin XLR - 4 male
 Voltage Output 22 volts DC to belt packs
 Max. Current Capacity 400mA
 Max. Belt Packs 20 BP-2000 belt packs
 Input Power Reqs. 24VAC, 50/60Hz, 750mA; 30 - 40VDC, 500mA
 Dimensions 1.75 x 8.5 x 4.5" / 45 x 216 x 114 mm
 Weight 57.6 oz / 1.63 kg
 AC Power Adapter Anchor model AC-20
 Input Voltage 120VAC, 60Hz
 Output Voltage/Current 24VAC @ 750mA



(FEATURES & SPECIFICATIONS SUBJECT TO CHANGE WITHOUT NOTICE)



Anchor Audio, Inc.
 Portable Sound Systems • Torrance, California

888/444-6077

www.anchoraudio.com